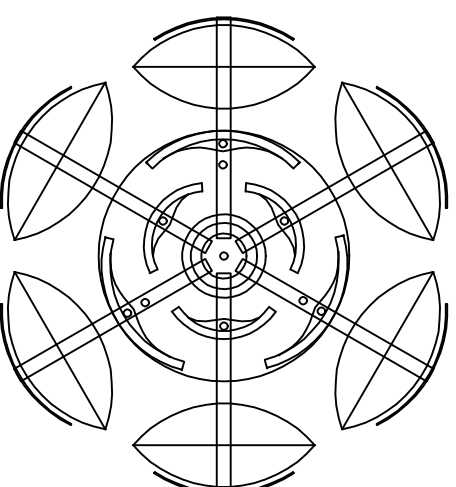
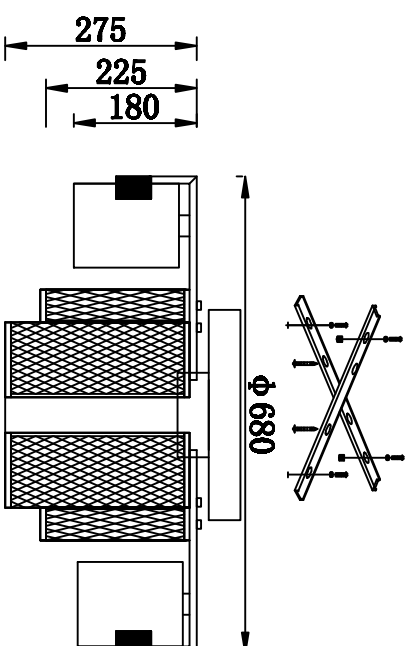


MODEL: 4310/PL



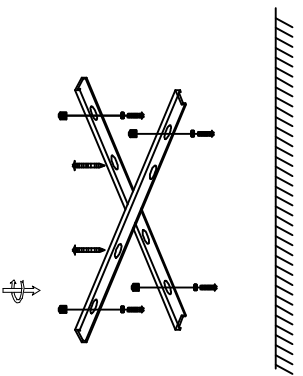
- 1、 Handmade Glass A 3pcs
- 2、 Handmade Glass B 3pcs

Safety precautions:

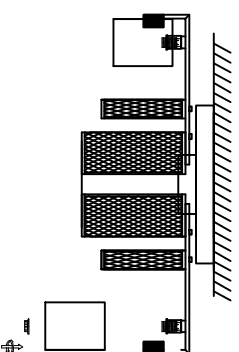
1. The product is not covered the guaranteed usage period. A/C229-94/07-2003A.
2. Please use the product properly. When using, the light fixture and other accessories separately.
3. The glass fixed on the ceiling must be able to withstand the weight more than 3 times of the weight.
4. After installation is complete, check the glass after every 72 hours to ensure it is fixed properly and installed.



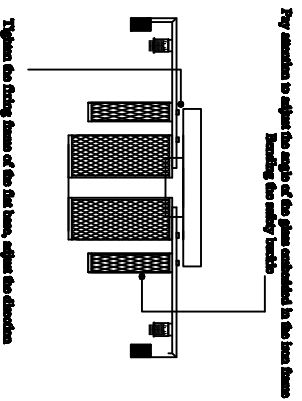
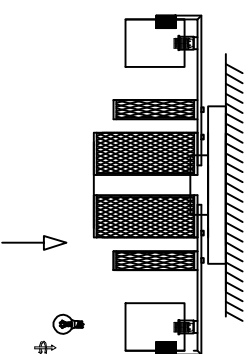
1



4

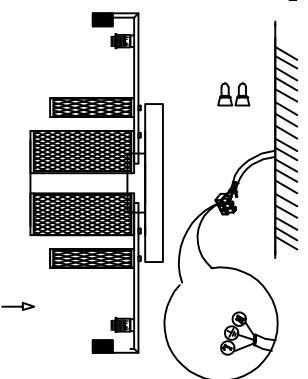


5



Try attention to adjust the angle of the glass embedded in the iron frame
Handling the safety handle

3



6

